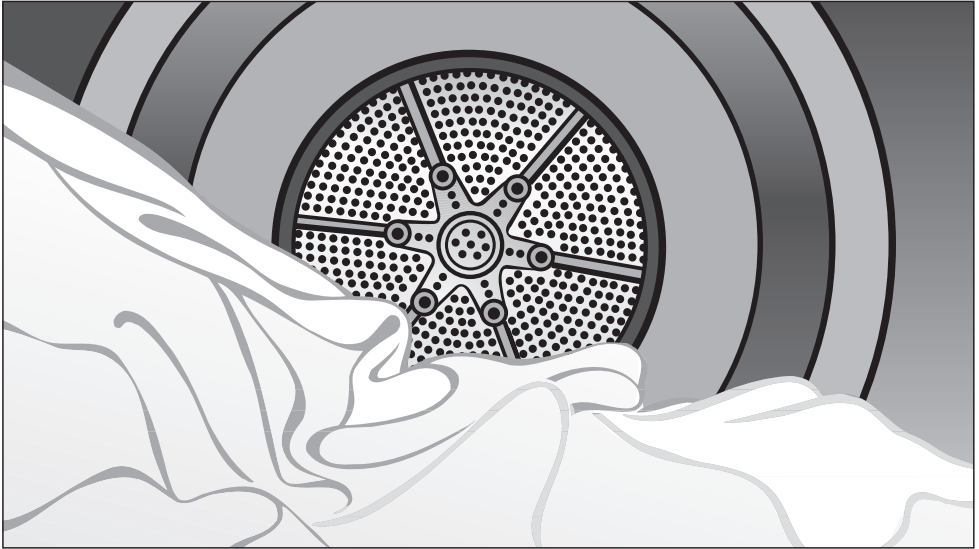


Miele

HONEYCOMB CARE



Operating instructions for condenser tumble dryer T 4839 Ci

To avoid the risk of accidents
or damage to the appliance
it is **essential** to read these
instructions before it is installed
and used for the first time.

en - GB

M.-Nr. 06 731 781

Caring for the environment

Disposal of the packing material

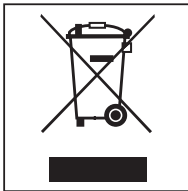
The transport and protective packing has been selected from materials which are environmentally friendly for disposal and can normally be recycled.

Ensure that any plastic wrappings, bags etc. are disposed of safely and kept out of the reach of babies and young children. Danger of suffocation!

Rather than just throwing these materials away, please ensure they are offered for recycling.

Disposal of your old appliance

Electrical and electronic appliances often contain materials which, if handled or disposed of incorrectly, could be potentially hazardous to human health and to the environment. They are, however, essential for the correct functioning of your appliance. Please do not therefore dispose of your appliance with your household waste.



Please dispose of it at your local community waste collection / recycling centre or contact your Dealer for advice. Ensure that it presents no danger to children while being stored for disposal.

Energy saving tips

To avoid unnecessarily long drying times and high consumption of energy:

- Make sure that your laundry is thoroughly spun before drying.

The higher the spin, the greater the savings that can be made in energy and time during drying.

- Load according to the optimum amount of laundry recommended for the programme being used (see Programme chart).

Underloading is uneconomical.



Overloading gives a poorer quality of drying and may cause unnecessary creasing.

- Make sure the room in which the dryer is located is well ventilated.
- Make sure the fluff filters are clean before using the dryer.
- Check the condenser unit from time to time and clean it when necessary.

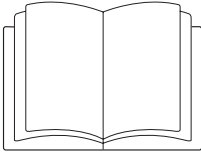
| | |
|---|----|
| Caring for the environment | 2 |
| Warning and Safety instructions | 6 |
| Operating the tumble dryer | 10 |
| Control panel | 10 |
| Display | 11 |
| Before using for the first time | 13 |
| Notes on laundry care | 14 |
| Care symbols | 14 |
| Tips on drying | 14 |
| How to dry correctly | 15 |
| Brief instructions | 15 |
| Extra options | 18 |
| Low temperature | 18 |
| Short | 18 |
| Anti-crease | 18 |
| Buzzer | 18 |
| Delay start | 19 |
| Programme chart | 20 |
| Changing the programme sequence | 25 |
| Once a programme has started | 25 |
| - changing the programme | 25 |
| - cancelling the programme and then selecting a different programme | 25 |
| - cancelling the programme and then removing the laundry | 25 |
| Adding or removing laundry after a programme has started | 25 |
| Time remaining | 25 |

Contents

| | |
|---|----|
| Cleaning and care | 26 |
| Emptying the condensed water container | 26 |
| Cleaning the fluff filters. | 27 |
| Cleaning them whilst dry | 27 |
| Cleaning them with water | 28 |
| Cleaning the tumble dryer | 29 |
| Cleaning the condenser unit | 30 |
| Removing the condenser unit. | 30 |
| Checking the condenser unit | 31 |
| Cleaning the condenser unit | 31 |
| Replacing the condenser unit. | 32 |
| Problem solving guide | 33 |
| Fault messages in the display | 33 |
| Other problems | 35 |
| Changing the lamp | 38 |
| After Sales service | 39 |
| Future updates (PC). | 39 |
| Appliance guarantee | 39 |
| Optional accessories | 39 |
| Installation | 40 |
| Front view. | 40 |
| Installation site | 41 |
| Building under a continuous worktop / in a kitchen run | 41 |
| Aligning the appliance | 42 |
| Room in which the dryer is located. | 42 |
| Washer-dryer stack. | 42 |
| Before moving the tumble dryer again (e.g. when moving house). | 42 |
| Matching the fascia panel to the height of adjacent drawer fronts | 43 |
| Removing the spacer bars | 43 |
| Fitting the front panel | 44 |
| Front panel dimensions. | 44 |
| Fitting the front panel | 44 |

| | |
|--|----|
| Fitting a door front panel made by another manufacturer | 45 |
| Preparing the front panel | 45 |
| Preparing the fixing points | 46 |
| Fitting a plinth facing | 47 |
| External condensed water outlet | 48 |
| Arranging the drain hose | 48 |
| External drainage via a sink or gully | 49 |
| Installation conditions requiring a non-return valve | 49 |
| Electrical connection | 51 |
| Electrical connection U.K. | 51 |
| Consumption data | 52 |
| Technical data | 53 |
| Settings menu  | 55 |
| To open the Settings menu | 55 |
| To close the Settings menu | 55 |
| Language  | 55 |
| Time (of day) | 56 |
| Drying levels | 56 |
| Extended cool down | 56 |
| Airways indicator | 57 |
| Lock code | 57 |
| Buzzer | 59 |
| Keypad tone | 59 |
| Contrast | 59 |
| Brightness | 59 |
| Standby display | 59 |
| Memory | 59 |

Warning and Safety instructions



► It is **essential** to read these instructions.

This tumble dryer conforms to current safety requirements. Inappropriate use can, however, lead to personal injury and damage to property.

To avoid the risk of accidents and damage to the tumble dryer, please read these instructions carefully before using it for the first time. They contain important information on its safety, installation, use and maintenance.

Keep these instructions in a safe place and ensure that new users are familiar with the content. Pass them on to any future owner.

Correct application

► This tumble dryer is only intended for drying fabrics which have been washed in a water solution, and marked on the manufacturer's care label as being suitable for tumble drying. "Dry cleaning kits" for freshening up garments in a tumble dryer are increasingly available on the market. If using, do so at your own risk, and follow the instructions provided on the packaging. Any other applications may be dangerous. Miele cannot be held liable for damage resulting from incorrect or improper use or operation.

► This appliance is not intended for use by persons (including children) with reduced physical, sensory or mental capabilities, or lack of experience or knowledge, unless they are supervised whilst using it or have been shown how to use it by a person responsible for their safety.

Safety with children

► Keep children away from the tumble dryer at all times. It is not a toy! To avoid the risk of injury do not allow them to play on or near it or to play with its controls. Supervise children whilst you are using it.

► Older children may only use it if its operation has been clearly explained to them, and they are able to use it safely, recognising the dangers of incorrect use.

Warning and Safety instructions

Technical safety

▶ Before setting up the tumble dryer, check it for any externally visible damage.

Do not install or use a damaged tumble dryer.

▶ Before connecting the tumble dryer, ensure that the connection data on the data plate (voltage and connected load) match the mains electricity supply. If in any doubt, consult a qualified electrician.

▶ The electrical safety of this tumble dryer can only be guaranteed when continuity is complete between it and an effective earthing system which complies with current local and national safety regulations. It is most important that this basic safety requirement is present and regularly tested, and where there is any doubt the household wiring system should be inspected by a qualified electrician. Miele cannot be held liable for the consequences of an inadequate earthing system (e.g. electric shock).

▶ Do not connect the tumble dryer to the mains electricity supply by an extension lead. Extension leads do not guarantee the required safety of the tumble dryer (e.g. danger of overheating).

▶ Unauthorised repairs could result in unforeseen dangers for the user, for which Miele cannot accept liability. Repairs should only be undertaken by a Miele approved service technician. Ensure current is not supplied to the tumble dryer until after maintenance or repair work has been carried out.

▶ Faulty components must only be replaced by genuine Miele original spare parts. Only when these parts are fitted can the safety standards of the tumble dryer be guaranteed.

▶ If the connection cable is faulty it must only be replaced by a Miele approved service technician to protect the user from danger.

▶ In the event of a fault or for cleaning purposes, the tumble dryer is only completely isolated from the electricity supply when:

- it is switched off at the wall socket and the plug is withdrawn, or
- it is switched off at the mains, or
- the mains fuse is disconnected, or the screw-out fuse is removed (in countries where this is applicable).

▶ This tumble dryer may only be used in mobile installations such as ships if a risk assessment of the installation has been carried out by a suitably qualified engineer.

▶ In countries where there are areas which may be subject to infestation by cockroaches or other vermin, pay particular attention to keeping the tumble dryer and its surroundings in a clean condition at all times. Any damage which may be caused by cockroaches or other vermin will not be covered by the guarantee.

▶ Do not make any alterations to the tumble dryer, unless authorised to do so by Miele.

Warning and Safety instructions

Correct use

▶ To prevent the risk of fire, the following textiles must not be dried in this tumble dryer:

- items which have not been washed.
- items, such as workwear, which have not been thoroughly cleaned and which are still soiled with grease, oil or other deposits (such as cosmetics, lotions etc).
If items have not been thoroughly cleaned there is a danger that these might ignite when heated, even after they have been removed from the dryer at the end of the programme.
- items which have been treated with inflammable cleaning agents or contain residues of acetone, alcohol, benzene, petrol, stain remover, turpentine, wax, wax remover or other chemicals (e.g. mops and floor cloths).
- items which have been splashed with hair lacquer, hair spray, nail varnish remover or similar substances.

When washing such heavily soiled items ensure that you use sufficient detergent and select a high temperature. If in doubt, wash the items several times.

▶ To prevent the risk of fire, the following must not be dried in this tumble dryer:

- fabrics which contain a large proportion of rubber, foam rubber or rubber-like materials. For example, products made from latex foam rubber, shower caps, waterproof textiles, rubberised articles and items of clothing and pillows with foam rubber filling.
- items which contain padding or fillings (e.g. pillows, jackets). If these were damaged the filling could get out with the risk of igniting in the dryer.

▶ In many programmes, the heating phase is followed by a cooling down phase to ensure that the items are not too hot to handle when you remove them (this also avoids the danger of the laundry self-igniting). The programme is not finished until the cooling down phase is complete.

Ensure that you always wait until the end of the programme before removing the laundry.

▶ **Warning:** Do not switch the tumble dryer off before the end of the drying programme. If this was done and the laundry was then removed immediately, it could give off a great amount of heat.

▶ Fabric conditioner and similar products must be used according to the instructions on the manufacturer's packaging.

Warning and Safety instructions

▶ The dryer must not be used without the fluff filters in place or if the fluff filters are damaged in any way.

▶ The fluff filters must be cleaned regularly.

▶ The dryer must not be used without the condenser unit in place.

▶ The fluff filters must be thoroughly dried after cleaning. Damp or wet filters could cause operational faults.

▶ Do not install the tumble dryer in a room where there is a risk of frost occurring. At temperatures around freezing point the tumble dryer may not be able to operate properly. There is a risk of damage if the condensed water is allowed to freeze in the pump, hoses and / or condensed water container.

The ambient room temperature should be between +2°C and +35°C.

▶ If the water is drained externally through the drain hose instead of being collected in the condensed water container, make sure the drain hose is securely attached if you hang it in a sink or basin to avoid the hose slipping and the water causing damage.

▶ Condensed water is not drinking water.

It can cause health problems in both people and animals.

▶ Always keep the area around the tumble dryer free of dust and fluff. Dust drawn into the tumble dryer can cause blockages in the condenser unit over time.

▶ Do not let anyone sit or lean on the door, as this can cause the tumble dryer to tip up.

▶ Always close the door after use. This way you will avoid the danger of:

- children climbing onto or into the dryer or hiding things in it.
- pets or other small animals climbing into it.

▶ The tumble dryer must not be hosed down.

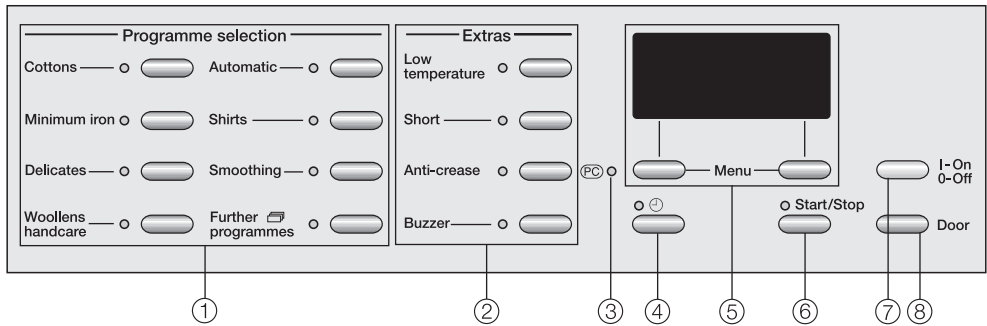
Accessories

▶ Only use genuine Miele spare parts and accessories with this appliance. If non-Miele parts are used, guarantee, performance and product liability claims may be invalidated.

Miele cannot be held liable for damage caused by non-compliance with these Warning and Safety instructions.

Operating the tumble dryer

Control panel



① Programme buttons

For selecting a drying programme.

② Extra option buttons

Various extra options can be added to the drying programmes.

③ PC / Optical interface

This is used by service technicians to run diagnostic checks on your machine and can also be used to update programming data in the future.

④ button

For selecting delay start and calling up the time of day in the display.

⑤ Display with *Menu* buttons

See the next page for more information.

⑥ *Start/Stop* button

For starting the programme selected and cancelling a programme once it has started.

The indicator light flashes while a programme is being selected and then is on constantly when the programme has started.

⑦ *I-On/0-Off* button

To switch the machine on or off or to interrupt a programme.

⑧ *Door* button

Pressing this button will open the door even when the machine is switched off at the mains.

Display

The display is used for the following:

Selecting and displaying settings

- Selecting different drying levels (e.g. *Hand iron, Normal ...*) or the duration of the *Warm air* and *Cool air* programmes
- Selecting delay start
- Displaying the drying duration (Estimated time remaining)

Note

All the display illustrations and times given in these instructions are examples, and can vary.

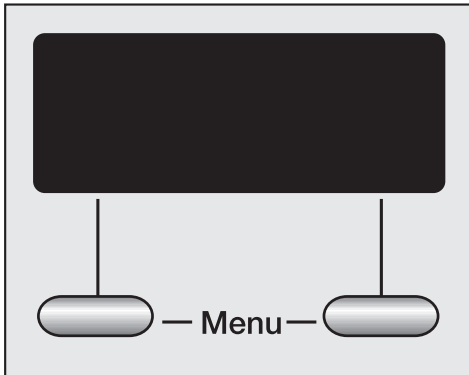
Selecting programmes via the display

By pressing the *Further programmes* button, you can select one of the following programmes:

- Denim
- Cool air
- Warm air
- Standard Pillows
- Large Pillows
- Silks handcare
- Sportswear
- Outerwear
- Proofing
- Cottons hygiene
- Minimum iron hygiene
- Timed drying hygiene

Operating the tumble dryer

Menu buttons



Various settings are made via the *Menu* buttons.

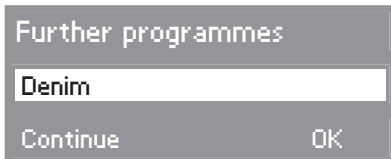
They are used to alter or confirm the value displayed above the vertical line.

To alter a setting:



Pressing the right or left hand *Menu* button selects the drying level.

To confirm a setting:



Pressing the left hand *Menu* button under **Continue** calls up further programmes, and you can then confirm your selection of the highlighted programme by pressing the right hand *Menu* button under **OK**.

Programme duration / Estimated time remaining

When a programme is selected, the estimated duration (time remaining) will appear in the display. Please be aware that it is only an estimate!

The following factors all affect the estimated time remaining: residual moisture content after spinning; type of fabric; size of load; room temperature; fluctuations in power supply.

The electronics continually assess conditions in the machine and adjust the estimated time remaining for a more accurate reading. Because of this, the time displayed can alter during the course of a programme.

In the same way, the Woollens handcare, Silks handcare and Smoothing programmes can finish earlier than expected if a certain temperature is reached. This can happen with particularly fine fabrics, very small loads or if items were partly dry beforehand.

Before using for the first time

When the tumble dryer is switched on for the first time, the welcome screen will appear.

The welcome screen will appear in the display every time you switch the machine on until you have run a programme lasting longer than 1 hour.

The display for setting the language will then appear.

Setting the language

You need to select the language you require for the display.

You can select a different language from the one shown.

It is possible to change the language at any time via the *Settings* menu.



- Select the language you require by pressing the left hand *Menu* button under ►.
- Confirm your selection by pressing the right hand *Menu* button under **OK**.

The display for setting the time will then appear.

Setting the time (of day)



- Select the hours you want by pressing the left hand *Menu* button under **Change**, and confirm this with the right hand *Menu* button under **OK**.
- Then set and confirm the minutes.

The entry menu will appear.

Entry menu

The entry menu showing the current time of day will appear after the machine has been switched on, until you select a programme.






- You can now load the laundry into the dryer and select a programme as described in "How to dry correctly".

Notes on laundry care

Care symbols


Before drying check the drying symbol on the care label. If there are no symbols, dry at your own risk!

-  Dry at normal temperature
-  Dry at low temperature
-  Do not tumble dry

Tips on drying

- Always observe the maximum recommended loads given in the "Programme chart". Never overload the drum.

Overloading can cause unnecessary wear and tear to the laundry, give a disappointing drying result and cause more creasing.

- Do not put soaking wet items into the tumble dryer. Spin them thoroughly after washing using the appropriate spin speed.
- For delicates and fabrics with the following care label  select *Low temperature*.
- Use the *Automatic* programme for drying mixed loads of cottons and minimum iron fabrics.
- Open jackets so that they can dry evenly.
- Woollens and wool blends tend to become matted and shrink if dried in a tumble dryer. They can, however, be partially dried using the *Woollens handcare* programme.

- Down-filled garments have linings which have a tendency to shrink, depending on the quality of the item. They can be partially dried using the *Smoothing* programme.
- Pure linen should only be machine dried if specified as suitable by the manufacturer on the care label, as the surface of the fabric may otherwise become rough. They can be partially dried using the *Smoothing* programme.
- Loopknit garments (e.g. T-shirts and underwear) tend to shrink depending on their quality. Do not over-dry these textiles. Be particularly careful when using the *Hygiene* programmes. When purchasing these garments it is advisable to take their shrinkage properties into account.
- For garments made from very fine weave fibres, such as shirts or blouses, use the *Shirts* programme to avoid creasing. If in doubt, reduce the load or use the *Smoothing* programme.
- Starched laundry can be dried in the tumble dryer. To achieve the usual finish, double the amount of starch should be used.
- New dark coloured garments should be washed and dried separately from light coloured garments to avoid the danger of colours running and discolouring other garments or even plastic components in the machine. Dark coloured fibres can also settle on light coloured garments and vice versa.


Brief instructions

The headings numbered (1, 2, 3 ...) show the operating sequence and can be used as a brief guide to using your dryer.

1 Sort the laundry

To ensure an even drying result separate out the washed laundry and sort it according to:

- ... the drying level required
- ... the type of fibre or weave
- ... size
- ... the moisture content after spinning.

 Make sure that objects e.g. detergent dispensing balls have been removed from the laundry. They could melt, and cause damage to the dryer or the laundry.

- Check seams and stitching to ensure that padding and linings are intact.
- Fasten duvet covers and pillow cases to prevent small items from being trapped inside them.
- Fasten hooks and eyes etc.
- Tie fabric belts and apron strings.
- Sew in or remove underwiring from bras.

2 Turn on the tumble dryer

- Switch the dryer on by pressing the *I-On/0-Off* button in.

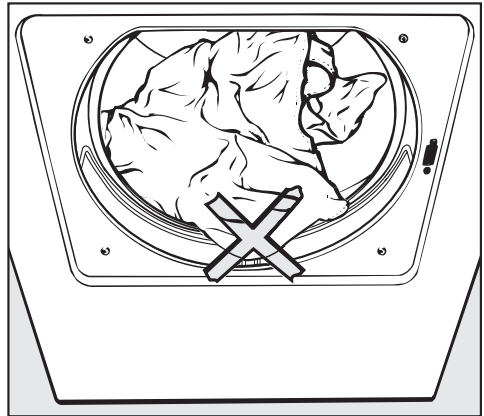
The tumble dryer may be switched on after loading, saving energy as the light will not come on.

3 Load the tumble dryer

- Press the *Door* button to open the door.
- Load the laundry loosely into the drum.

Do not overload the drum. See the "Programme chart" for recommended loads for each programme. Overloading can cause unnecessary wear and tear to the laundry and give a disappointing drying result.

- Before closing the door make sure the fluff filter is correctly positioned.

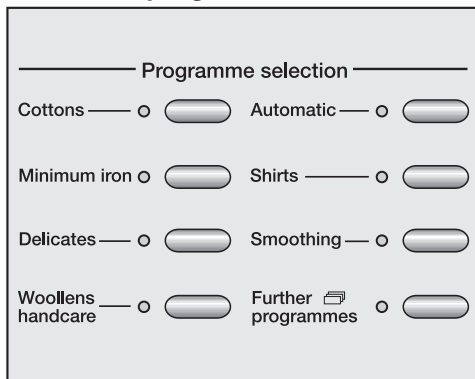


Check the laundry is right inside the drum so that it cannot get trapped or damaged when the door is shut.

- Shut the door either with a gentle swing, or lean against it and push it shut.

How to dry correctly

4 Select a programme



- Press the button for the programme you wish to select.

The indicator light for the programme selected will light up and the programme name will appear in the display.

Programmes with drying levels: **Cottons, Minimum iron, Delicates, Automatic, Shirts, Denim, Sportswear and Outerwear**

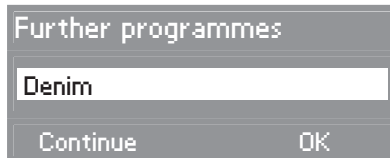


- Press the left or right hand *Menu* button repeatedly until the drying level you want appears in the display.
- Any of the drying levels can be selected for the *Cottons* programme. A more limited range is available when using other programmes.

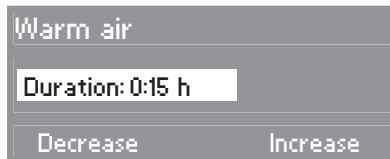
Important: Please note that the programme duration shown in the display will vary according to the programme selected (see "Programme duration / Estimated time remaining").

You cannot alter the drying level of the *Woolens handcare* and *Smoothing* programmes.

Further programmes

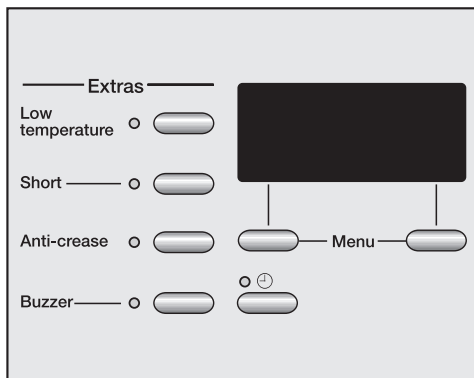


- Press the left hand *Menu* button under **Continue** repeatedly until the programme you want appears.
- Confirm your selection of the programme by pressing the right hand *Menu* button under **OK**.
 - You can select the drying level for the *Denim, Sportswear* and *Outerwear* programmes, as described in "Select a drying level".
 - You cannot alter the drying level of the *Pillows, Silks handcare, Proofing, Cottons hygiene* and *Minimum iron hygiene* programmes.
 - You can select a programme duration of ...
 - ... 15 minutes to 2 hours for the *Warm / Cool air timed drying programmes*
 - ... 1 to 2 hours for the *Timed drying hygiene* programmes



- Press the *Menu* buttons under **Increase** or **Decrease** to lengthen or shorten the duration of the timed drying programmes.

5 Select any Extra options / Delay start



- Select any extra options or delay start by pressing the appropriate button (see "Extra options" and "Delay start" for more details).

6 Start the programme

The indicator light for the *Start/Stop* button will flash when a programme is being selected. The flashing indicates that a programme can be started.

- Press the *Start/Stop* button.

The indicator light for the *Start/Stop* button will now light up constantly.

Drying will appear in the display and the time remaining will start counting down.

With programmes with drying levels, e.g. *Machine iron*, *Hand iron* etc. the drying level reached will be shown in the display later on.

Before the end of a programme

There is a cooling down phase at the end of the drying sequence: *Cooling down* will appear in the display. The programme will not finish until the cooling down phase has been completed.

There is no cooling down phase at the end of the Woollens handcare, Silks handcare and Smoothing programmes.

7 Remove the laundry when the programme has finished

Anti-crease (if selected) and *Finished* will appear in the display to indicate that the programme has finished. The buzzer (if selected) will sound at intervals.

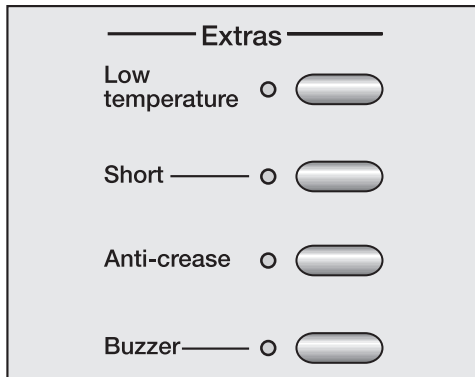
- Press the *Door* button to open the drum door.
- Remove the laundry.

Check that all items have been removed from the drum. If items are left in the dryer, they could be damaged by overdrying when the dryer is next used.

If the dryer is switched on at the mains and the door is opened, the drum lighting will come on. It will go out a few minutes later to save energy.


- Switch the dryer off by pressing the *I-On/O-Off* button.
- Clean the fluff filters.
- Close the door.
- Empty the condensed water container (unless the dryer has been connected for external drainage).


Extra options




- It is not possible to select the *Short* and *Low temperature* options at the same time.
- Not all the extra options are suitable for use with every programme.

Low temperature

For drying delicates and fabrics with the  symbol on the care label at a lower temperature.

- For all delicate or minimum iron fabrics with the  symbol on the care label (e.g. acrylic garments).
- The programme duration is longer.
- On some programmes *Low temperature* is a standard part of the programme and so cannot be deselected.

Short

For drying fabrics which can withstand higher temperatures and have  on the care label. Do not use on minimum iron or delicate fabrics.

- Fabrics are dried more quickly.


Anti-crease

Helps prevent creasing, if laundry is not normally removed immediately after the end of a programme.

- The drum will turn at intervals for an hour after the programme has finished.

Buzzer

A buzzer sounds (at intervals for a maximum of 1 hr) to let you know the programme has finished.

- The buzzer can be selected for all the programmes and at any time.
- You can change the volume of the buzzer. See "Settings menu ".
- The buzzer will always sound when there is a fault, even if it has been switched off.

With delay start you can choose when you want the programme to end. The start of a programme can be delayed from 30 minutes up to a maximum of 24 hours, allowing you to make use of night-time economy electricity rates, for example.

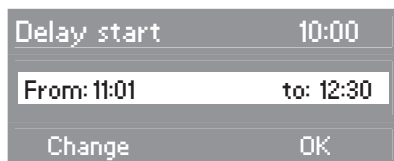
To select delay start

- 1 Select the programme you want and then press the ⊖ button.

The indicator light for the ⊖ button will light up.



The display shows the start time (*From*), the time for the end of the programme (*to*) and the current time of day.



- 2 Use the left hand *Menu* button under **Change** to select the time you want the programme to end at.

The first press on the button will adjust the programme end time to the next half or full hour. Each subsequent press on the button will delay the programme end time by 30 minutes.

- 3 Confirm the time you require by pressing the right hand *Menu* button under **OK**.

To begin delay start

- 4 Press the *Start/Stop* button.



The delay start time will now count down in minutes until the start of the programme.

The drum will turn briefly every hour to help prevent creasing.

To add laundry after the delay start time has started counting down

- Open the door and add the laundry.
- Close the door and press the *Start/Stop* button. The delay start time will continue to count down.

To alter delay start

- It is possible to change the drying level after the delay start time has begun to count down by pressing one of the *Menu* buttons.




You can also select a later programme end time once the delay start time has begun to count down if you wish:

- Press the ⊖ button.
- Use the left hand *Menu* button under **Change** to alter the time you want the programme to end at.
- Confirm by pressing the right hand *Menu* button under **OK**.

To cancel delay start

- Press the ⊖ button.
- Confirm by pressing the right hand *Menu* button under **Delete**.
- To start the programme: Press the *Start/Stop* button.

Programme chart

| | | |
|---|--|------------------|
| Cottons | | Max. load: 6 kg* |
| Extra dry, Normal+, Normal** | | |
| Fabric type | Single and multi-layered cotton fabrics such as towelling, jerseywear, T-shirts, underwear. | |
| Note | <ul style="list-style-type: none"> – Select <i>Extra dry</i> for multi-layered and very thick fabrics. – Do not use <i>Extra dry</i> for jersey fabrics (e.g. T-shirts, underwear), as they have a tendency to shrink. | |
| Extra options | Low temperature (select this option for delicate fabrics with the  , Short, Anti-crease | |
| Hand iron Δ, Hand iron $\Delta\Delta$**, Machine iron | | |
| Fabric type | Cottons or linen fabrics, e.g.: table linen, bed linen, starched laundry. | |
| Note | To prevent laundry from drying out, it should be rolled up until you are ready for ironing. | |
| Extra options | Low temperature (select this option for delicate fabrics with the  , Short, Anti-crease | |
| Minimum iron | | Max. load: 3 kg* |
| Normal+, Normal**, Hand iron Δ | | |
| Fabric type | Minimum iron items made of cotton, synthetic or blended fabrics, e.g.: shirts, blouses, skirts and table cloths. | |
| Extra options | Low temperature (select this option for delicate fabrics with the  , Short, Anti-crease | |

* Weight of dry laundry

** Note for test institutes:

Use this programme without selecting any Extra options for testing according to EN 61121 standard.

Programme chart

| | | |
|--|--|--------------------|
| Delicates | | Max. load: 2 kg* |
| Normal+, Normal, Hand iron Δ, Hand iron $\Delta\Delta$, Machine iron | | |
| Fabric type | Delicate items made of cotton, synthetic or blended fabrics, e.g.: jumpers, skirts, trousers, table cloths, shirts, blouses and evening wear with sequins and beading. | |
| Note | Laundry remains relatively crease-free for easier ironing. | |
| Extra options | Low temperature. (Low temperature cannot be deselected), Anti-crease | |
| Woollens handcare | | Max. load: 2 kg* |
| Fabric type | Woollen fabrics | |
| Note | <ul style="list-style-type: none"> – This programme only fluffs up woollen garments. They are not dried completely by this programme. – Remove garments as soon as the programme has finished and leave to finish drying at room temperature. | |
| Extra option | Low temperature. (Low temperature cannot be deselected). | |
| Automatic | | Max. load: 3.5 kg* |
| Normal+, Normal, Hand iron Δ | | |
| Fabric type | Mixed loads of garments suitable for the <i>Cottons</i> and <i>Minimum iron</i> programmes. Sort according to colour. | |
| Extra option | Anti-crease | |
| Shirts | | Max. load: 2 kg* |
| Normal, Hand iron Δ | | |
| Garment | Shirts and blouses. | |
| Extra options | Low temperature. (Low temperature cannot be deselected), Anti-crease | |
| Smoothing | | Max. load: 3 kg* |
| Fabric type | <ul style="list-style-type: none"> – Cotton and linen fabrics. – Minimum iron items made of mixed fibres, cottons or synthetics, e.g.: trousers, jackets, shirts. | |
| Notes | <ul style="list-style-type: none"> – Smooths out creasing caused during the spin cycle in the washing machine. – Fabrics are not completely dried in this programme. Remove garments as soon as the programme has finished and leave to finish drying at room temperature. | |
| Extra options | Low temperature. (Low temperature cannot be deselected), Anti-crease | |

* Weight of dry laundry

Programme chart

| | | |
|---|--|---------------------------------|
| Denim | | Max. load: 3 kg* |
| Normal, Hand iron Δ | | |
| Fabric type | Denim garments, e.g. jeans, jackets, skirts, shirts. | |
| Extra options | Low temperature. (Low temperature cannot be deselected), Anti-crease | |
| Cool air | | Max. load: 6 kg* |
| Fabric type | Any item which only needs airing. | |
| Extra option | Anti-crease | |
| Warm air | | Max. load: 6 kg* |
| Fabric type | <ul style="list-style-type: none"> – "Voluminous" and multi-layered fabrics whose layers have different drying characteristics, e.g. jackets. – For drying individual items, e.g. bath towels, bathing costumes, tea-towels and small loads. | |
| Note | – Do not select the longest drying time to start with. Check the items as you are drying them to find the optimum time. | |
| Tip | You can use the <i>Warm air</i> programme to help remove odours from cotton clothing which has been worn but it still clean (select a duration of between 1/2 and 1 hour). Items must be suitable for drying in a tumble dryer. Dampen the garments a little beforehand or add a fabric conditioner sheet. The Warm air programme will not be as effective at removing odours from any parts of the garments which are made of synthetic fibres. | |
| Extra options | Low temperature (select this option for delicate fabrics with the ☺ symbol on the care label), Anti-crease. | |
| Standard pillows - Normal (drying level) | | 1-2 pillows up to 40 x 40 cm |
| Large pillows - Normal (drying level) | | 1 pillow up to 80 x 80 cm |
| Item | Pillows suitable for drying in a tumble dryer, with feather, down or synthetic fillings. | |
| Note | Please observe the instructions on the care label. Pillows can still feel damp after being dried. You can use this programme several times until the pillow feels dry. | |
| Extra option | Anti-crease | |




* Weight of dry laundry

Programme chart

| | | |
|---|--|------------------|
| Silks handcare | | Max. load: 1 kg* |
| Fabric type | Silks, e.g. blouses and shirts. | |
| Notes | <ul style="list-style-type: none"> – Smooths out creasing. – Fabrics are not completely dried in this programme. Remove garments as soon as the programme has finished and leave to finish drying at room temperature. | |
| Extra options | Low temperature. (Low temperature cannot be deselected), Anti-crease | |
| Sportswear | | Max. load: 2 kg* |
| Normal+, Normal, Hand iron Δ | | |
| Garment | Sportswear which is suitable for drying in a tumble dryer. | |
| Extra option | Anti-crease | |
| Outerwear | | Max. load: 2 kg* |
| Normal, Hand iron Δ | | |
| Garment | Outerwear which is suitable for drying in a tumble dryer. | |
| Extra option | Anti-crease | |
| Proofing - Normal (drying level) | | Max. load: 2 kg* |
| Item | For drying microfibre fabrics, ski wear, fine, closeweave cotton garments (poplin) or tablecloths which are suitable for drying in a tumble dryer and have been treated to provide a water and dirt resistant finish. | |
| Notes | <ul style="list-style-type: none"> – This programme includes a proofing fixing phase. – Only use proofing agents which are stated by the manufacturer as being "suitable for use on membrane textiles" as these contain fluorochemical compounds. – Do not dry items which have been treated with proofing agents containing paraffin. Fire hazard! | |
| Extra option | Anti-crease | |

* Weight of dry laundry

Programme chart

| Hygiene programmes | |
|---|---|
| <p>In the <i>Hygiene</i> programmes the temperature is held constant for a longer period of time to deactivate micro-organisms, e.g. germs or house dustmites and also reduce the number of allergens in the laundry.</p> <p>These programmes should not be interrupted as this would prevent the micro-organisms from being deactivated.</p> | |
| Extra option | Anti-crease |
| Cottons hygiene - Normal (drying level) | |
| Max. load: 6 kg* | |
| Fabric type | Cottons and linen fabrics, which will be in direct contact with the skin, e.g. underwear, nappies, towelling, bed linen, pillow and mattress covers. |
| Note | Only for drying fabrics which can withstand higher temperatures and which have the  symbol on the care label. |
| Minimum iron hygiene - Normal (drying level) | |
| Max. load: 3 kg* | |
| Fabric type | Minimum iron items made of synthetic or blended fabrics, e.g. skirts, shirts and blouses. |
| Note | Only for drying fabrics which can withstand higher temperatures and which have the  symbol on the care label. |
| Timed drying hygiene | |
| Max load: depending on fabric type | |
| Fabric type | <ul style="list-style-type: none"> – 6 kg* of items made of cotton or linen fabric. – 3 kg* of minimum iron items made of synthetic or blended fabric. – For airing individual items of laundry which are already dry or for deactivating lice, dustmites and micro-organisms in washable materials which are suitable for drying in a tumble dryer, e.g. stuffed toys, and which have the  symbol on the care label. |

* Weight of dry laundry

Changing the programme sequence

Once a programme has started

- changing the programme

You cannot change to another programme once a programme has started (this prevents unintentional alterations).

If an attempt is made to change a selection, *Option not possible* will appear in the display.

It is still possible to select or deselect the *Buzzer* and the *Anti-crease* extra option.

You will need to cancel the current programme before you can select a new one.

- cancelling the programme and then selecting a different programme

- Press the *Start/Stop* button.

The "Stopped" option *Cancel programme* will appear in the display.

- Confirm by pressing the right hand *Menu* button under **OK**.

The items will be cooled down, depending on the temperature reached and how long they have been dried for.

If you press the *Start/Stop* button during the cooling down phase and confirm by pressing the right hand *Menu* button under **OK**, *Finished* will appear in the display.


- Switch the dryer off.
- Switch the dryer on.
- Select another programme and start it.

- cancelling the programme and then removing the laundry

- Proceed as described in "Adding or removing laundry after a programme has started" below.
- Switch the dryer off after closing the door.

Adding or removing laundry after a programme has started

- Press the *Door* button.
- Open the door.

 **Danger of burning:**
Do not touch the back of the drum when adding or removing items. The drum and the items can get very hot.

- Add or remove items as required.
- Close the door.
- Press the *Start/Stop* button.

Time remaining

The time left shown in the display may now vary from the actual drying time.

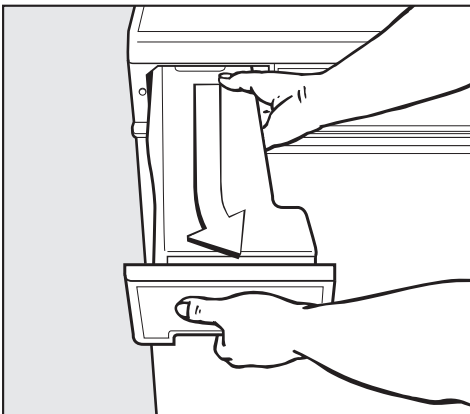
Cleaning and care

Emptying the condensed water container

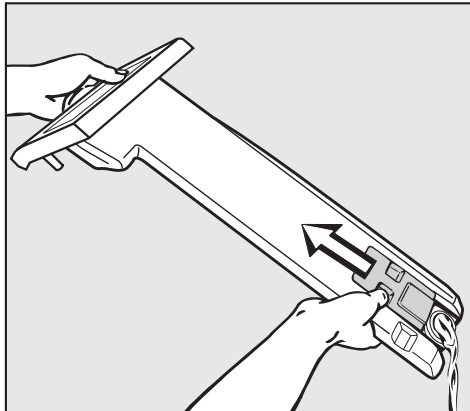
The condensed water will be collected in the condensed water container unless the appliance has been set up to drain via the drain hose (see installation).

Empty the condensed water container after every drying programme.

The drying programme will be interrupted if the maximum level of the condensed water container is reached. A message will appear in the display.



- Holding the container firmly in both hands, as shown, pull it out slightly towards the right-hand side.
- Hold the container in a horizontal position when carrying it.



- Open the shutter and empty out the water.
- To replace the container, hold it at a slight angle (as when removing it) and push it in gently until you feel it click into position.
- To remove the message from the display, switch the dryer off and then on again.

Condensed water should not be consumed. It could lead to health problems for people and animals.

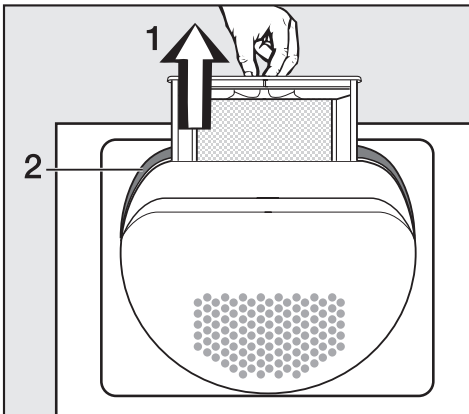
Condensed water can be put to household use (e.g. used in a steam iron or humidifier). To ensure that any residual particles of fluff in the condensed water are removed before use, pass it through a fine sieve or paper filter first.

Cleaning the fluff filters

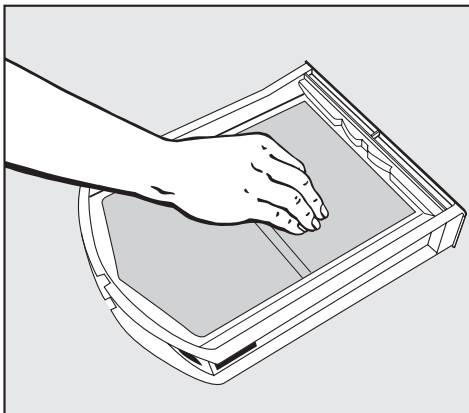
The fluff which is created by the drying process is collected by the fluff filters in the door and the door opening. Clean the filters after **each** drying programme*.

Cleaning them whilst dry

Tip: You can also use a vacuum cleaner to remove the fluff.

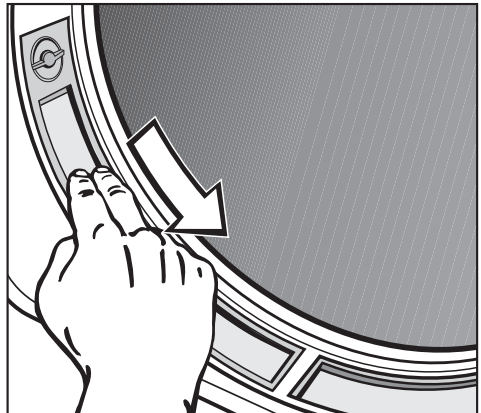


- Open the door and pull the fluff filter (1) out of the door as illustrated.



- Use your fingers to remove the fluff from the surface of the filter.

- Remove any fluff from the hollow part of the door opening. You could also use a cleaning brush which is available as an optional extra from your Miele dealer or the Miele Spare Parts Department, or use a vacuum cleaner.
- Also clean the door seal (2) with a damp cloth.
- Once clean, push the filter back into the door holder until it clicks into position. Ensure it is facing the correct way.



- Use your fingers or a vacuum cleaner to remove the fluff from the two fluff filters in the door opening.
- Close the door.

* Always check the fluff filters if the *Clean out airways* message appears.

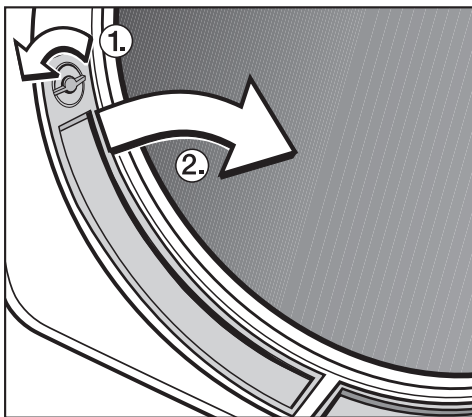
Cleaning and care

Cleaning them with water

If there is a great deal of compacted fluff on any of the filters, they can be removed and cleaned under hot running water.

- Open the door and pull the fluff filter out of the door as described previously.

The two filters in the door opening can also be removed if you need to clean them with water.



- Turn dial ① and pull the filter by the dial out of the door opening as shown ②. Do the same on the other side.
- Rinse all the filters under hot, running water.
- Then shake the filters until no more water droplets are visible.
- Dry the filters thoroughly with care.
- Clean the area underneath these filters, e.g. with a vacuum cleaner.

⚠ Do not replace them if they are damp or wet. Damp or wet filters could cause operational faults.

- Push the large filter back into the door holder until it clicks into position. Ensure it is facing the correct way.
- Replace the filters in the door opening by first inserting them at the bottom and then pressing them into place at the top.
- Lock both dials.

Cleaning the tumble dryer

Disconnect the tumble dryer from the mains electricity supply.

Miele branded cleaning and conditioning products are available to order from your Dealer, the Miele Spare Parts Department or via the internet on www.miele-shop.com.

- Clean the housing and control panel with a slightly damp cloth and a mild detergent or soapy water.
- The drum and other stainless steel parts can be cleaned with a suitable proprietary stainless steel cleaner following the manufacturer's instructions.

Do not use solvents, abrasive cleaners, glass cleaners or all-purpose cleaners. These could damage plastic surfaces and other parts. The tumble dryer must never be hosed down.

- Dry all parts with a soft cloth.

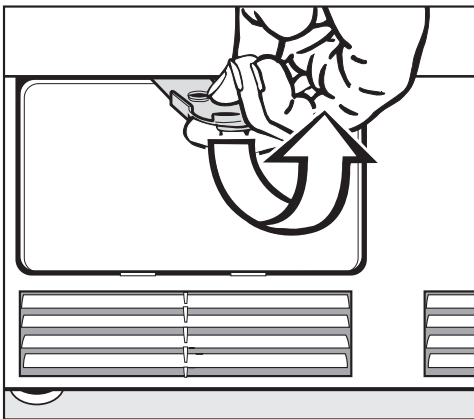
Cleaning and care

Cleaning the condenser unit

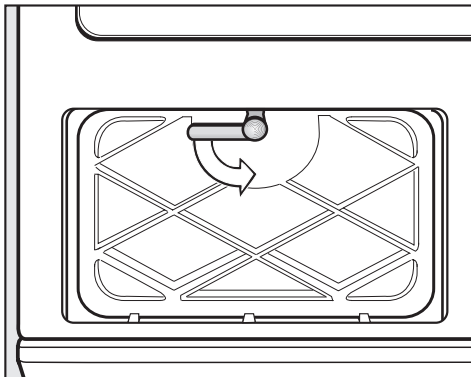
Detergent residue, hair and fine fluff from the dryer can get through the fluff filters and block the condenser unit. Dust from the room in which the dryer is installed can also get into the condenser unit and cause a blockage.

Check the condenser unit at least twice a year. Always check it if the *Clean out airways* message appears. If the dryer is used frequently then check the condenser unit after approx. 100 drying cycles. Clean it if necessary.

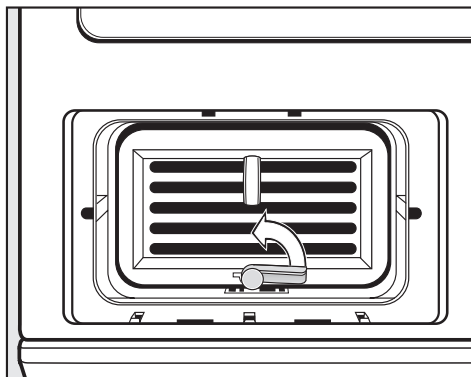
Removing the condenser unit



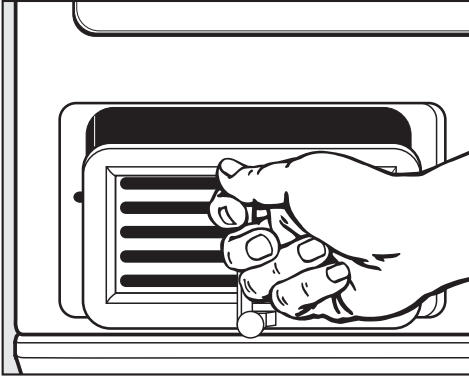
- Open the service panel. Hold the panel securely when doing this.
- Now remove the panel by pulling it diagonally upwards and place it to one side.



- Turn the lever on the inner cover downwards to the vertical position.
- Tilt the cover forwards.
- Remove it by pulling it diagonally upwards.

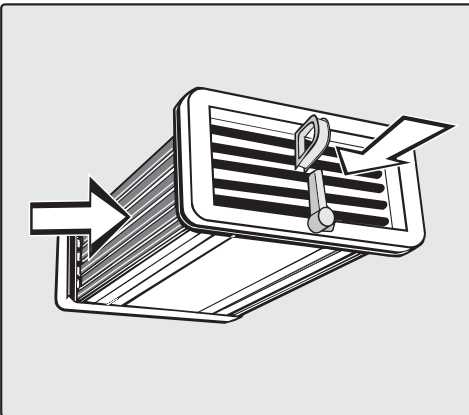


- Turn the lever on the condenser unit upwards to the vertical position.



- Pull the condenser unit out of its housing by the handle.

Checking the condenser unit



- Hold the condenser unit up to the light **as shown**.
- Check to see if there is any fluff inside it.
The arrows in the illustration above indicate where to look.

If you cannot see any fluff:

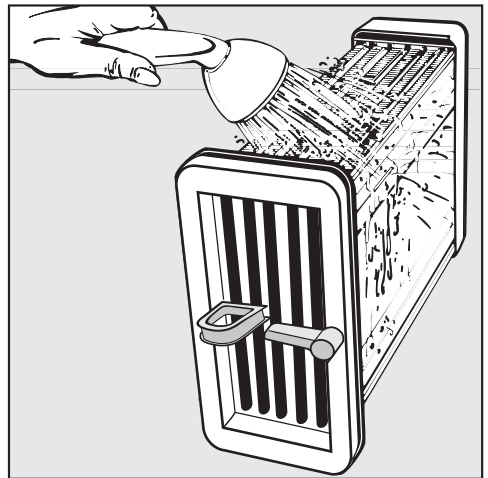
- Replace the condenser unit (see following page).

If you can see some fluff:

- Clean the condenser unit as described below.

Cleaning the condenser unit

- **When rinsing the condenser unit, make sure you position it as shown in the next two illustrations.**



- Use a shower head or similar to rinse the unit out **as shown**.

Cleaning and care



- Then flush the unit through from the front.
- Check the condenser unit again for any visible fluff and if necessary flush it through again until it has all gone.
- Remove any soiling still visible inside the housing unit by hand using a damp cloth. Do not try and access areas you cannot reach by hand!
- Also make sure the rubber seals are clean.


The rubber seals must not be removed and must be free of kinks.

Replacing the condenser unit


- With the handle facing upwards, push the condenser unit back into position in its housing.
- Turn the lever down to the horizontal position, making sure that the hook on the lever clicks into the groove.

When replacing the inner cover after cleaning, ensure that the rubber seal fits correctly into the groove.



- Replace the inner cover making sure the hooks locate correctly. Hold it at an angle and push it gently downwards.
- Then turn the lever upwards into the horizontal position to lock the cover.
- Replace the service panel and press the upper edge until it clicks into position.

 It is important to ensure that both the condenser unit and the cover are correctly positioned and locked otherwise water may leak from the dryer.




With the help of the following notes, minor faults in the performance of the machine, some of which may result from incorrect operation, can be put right without contacting the Service Department.

 Repair work to electrical appliances should only be carried out by a suitably qualified person in strict accordance with current local and national safety regulations. Repairs and other work by unqualified persons could be dangerous. The manufacturer cannot be held liable for unauthorised work.

Fault messages in the display

| Problem | Possible cause | Remedy |
|--|--|--|
|  <p>Adjust the load + the programme is cancelled, the buzzer sounds</p> | <p>This is not a fault. The electronic unit has recognised that there is no laundry in the drum and cancelled the programme. Drying individual garments or items which are already dry can also cause the programme to be cancelled.</p> | <p>Use the Warm air programme (timed drying) to dry individual items. To delete the fault message:</p> <ul style="list-style-type: none"> – Open the door. |
|  <p>Please empty the container + the cooling down phase starts, the buzzer sounds</p> | <p>The condensed water container is full or the drain hose has a kink in it or is blocked.</p> | <ul style="list-style-type: none"> – Empty out the condensed water container or check the drain hose. <p>To delete the fault message:</p> <ul style="list-style-type: none"> – Switch the dryer off and then back on again. |

Problem solving guide

| Problem | Possible cause | Remedy |
|---|---|--|
| <p>Clean out airways appears after the programme has finished</p> | <ul style="list-style-type: none"> – The dryer is not working efficiently or economically. <p>Possible cause: The fluff filters are clogged with fluff or with detergent residues.</p> <ul style="list-style-type: none"> – This message can also appear when using the <i>Large pillows</i> programme to dry a large pillow. The message does not indicate a fault in this instance. | <ul style="list-style-type: none"> – Cleaning the filters is usually all that is required. However, if the message does not go out after you have cleaned the filters, then also check all the possible causes described under "The drying process goes on too long or even switches off". <p>To delete the fault message:</p> <ul style="list-style-type: none"> – Open the door. – Switch the dryer off and then back on again. <p>You can adjust the setting which controls when or if the message <i>Clean out airways</i> appears. See "Settings menu , Airways indicator").</p> |
| <p> Clean out airways + the programme is cancelled, the buzzer sounds</p> | <p>See above for possible causes and their remedies.</p> | <p>To delete the fault message:</p> <ul style="list-style-type: none"> – Open the door. – Switch the dryer off and then back on again. – Then start the programme again. – If the fault message appears again, contact the Miele Service Dept. |
| <p> Technical fault Call the Service Department + the programme is cancelled, the buzzer sounds</p> | <p>There is a fault. A fault code, e.g. <i>F51</i> also appears.</p> | <ul style="list-style-type: none"> – Switch the dryer off and then back on again. Try to start a programme. – If the fault message appears again, contact the Miele Service Dept. |

| Other problems | | |
|---|---|---|
| Problem | Possible cause | Remedy |
| <p>The drying process goes on too long or even switches off.</p> <p>In some circumstances, <i>Clean out airways</i> still appears, even though the filters are clean.</p> | <p>Please check all the possible causes and switch the dryer off and then back on again.</p> | |
| | <p>Ventilation to and from the dryer may be insufficient (e.g. because it is installed in a small room). This has caused the temperature in the room to rise sharply.</p> | <p>Open a door or window while the machine is in operation for increased air flow.</p> |
| | <p>The fluff filters are clogged up with fluff or were still wet when they were replaced.</p> | <ul style="list-style-type: none"> – Remove any fluff. – The fluff filters must be completely dry. |
| | <p>The laundry has not been spun sufficiently.</p> | <p>Make sure that your laundry is thoroughly spun at the appropriate spin speed.</p> |
| | <p>The tumble dryer has been overloaded.</p> | <p>Do not exceed the maximum load for the programme selected.</p> |
| | <p>Metallic components, e.g. zips have prevented the dryer from registering the correct moisture level in the laundry.</p> | <ul style="list-style-type: none"> – Open zips next time. <p>If the problem occurs again, dry garments with long zips using the Warm air programme (timed drying).</p> |
| | <p>Detergent residues, hair and fine fibres can block up the condenser unit.</p> | <p>Check the condenser unit from time to time and clean it if necessary.</p> |
| <p>The vents below the door are blocked.</p> | <p>Remove any objects that are blocking the vents.</p> | |
| <p>The laundry is not sufficiently dry.</p> | <p>The load consisted of different fabrics.</p> | <ul style="list-style-type: none"> – Finish drying using the Warm air programme. – Select a different programme next time. |

Problem solving guide

| Problem | Possible cause | Remedy |
|--|---|---|
| <p>Water leaks from the machine after the condenser unit has been cleaned.</p> | <ul style="list-style-type: none"> – The inner cover of the condenser unit has not been locked properly and/or the condenser unit has not been positioned correctly. – Fluff has collected in the condenser unit housing. | <ul style="list-style-type: none"> – Ensure that the condenser unit is positioned correctly and lock the inner cover. – Check the rubber seals. – Use a cloth to remove any visible fluff from the inside of the condenser unit housing. |
| <p>Items made of synthetic fibres are charged with static electricity after drying.</p> | <p>Synthetic fibres tend to attract static charge.</p> | <p>Static charge can be reduced by adding a fabric conditioner to the final rinse in the washing programme or a fabric conditioner sheet to the load when drying.</p> |
| <p>There is a build-up of fluff.</p> | <p>Fluff is principally the result of friction when garments are being worn and washed. Machine drying hardly causes any fluff to form and has been established by research institutes to have no appreciable effect on the lifetime of fabric.</p> | <p>Fluff is collected by the fluff filters and can be easily removed (see "Cleaning and Care").</p> |
| <p>Feather filled pillows smell after drying.</p> | <p>Feathers are a natural product and this is quite normal.</p> | <p>The smell will dissipate after sufficient airing.</p> |

Problem solving guide

| Problem | Possible cause | Remedy |
|---|--|--|
| The programme does not start and the display is dark. | No obvious cause. | <ul style="list-style-type: none"> – Is the dryer switched on? – Is the plug correctly inserted in the socket and switched on? – Is the appliance door closed properly? – Has the fuse or circuit breaker tripped? |
| The interior drum lighting does not come on. | The lighting switches off automatically (to save energy). | Switch the dryer off and then on again. |
| | The lamp needs changing. | Change the lamp as described at the end of this section. |
| The display is in a different language. | A different language has been selected. | Set the language you want. The flag symbol will guide you. See "Language" at the end of this booklet. |
| The <i>Start/Stop</i> button indicator light flashes when a programme is being selected. | This is not a fault. The flashing indicates that a programme can be started. | After the programme has started, the flashing will change to a constant light. |
| The display is dark. The <i>Start/Stop</i> button indicator light flashes slowly. | The display has switched off automatically to save energy (Standby mode). | The display will light up when one of the buttons is pressed. |
| | If the problem continues there is a fault. | Contact the Miele Service Department. |

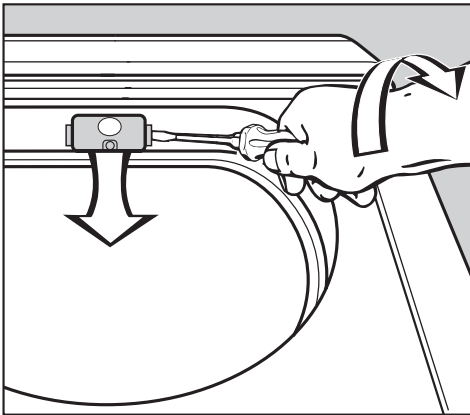
Problem solving guide

Changing the lamp

Disconnect the tumble dryer from the mains electricity supply.

- Open the door.

You will find the interior lamp cover at the top of the drum aperture.



- Insert a suitable tool, such as a wide bladed screwdriver, under the side edge of the lamp cover as illustrated.
- Apply a little pressure and whilst doing so turn your wrist in the direction of the arrow to open the cover.

The cover will open downwards.

The temperature resistant lamp should only be ordered from your Miele Dealer or the Miele Spare Parts Department.

The lamp specification and maximum wattage is stated on the data plate and on the lamp cover.

- Replace the lamp.
- To close the cover push it upwards and press it on the left and right until you hear it click into position.

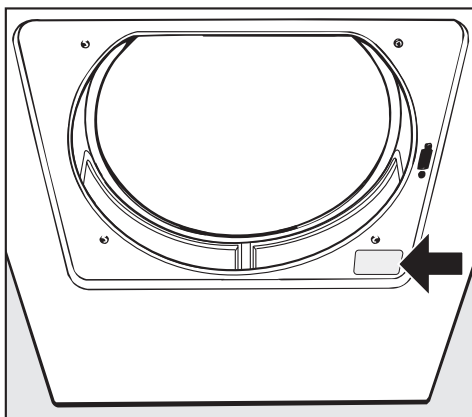
⚠ Ensure that it is fitted into position securely, as any moisture could cause a short circuit.

In the event of any faults which you cannot remedy yourself, please contact

- your Miele dealer or
- the Miele Service Department (see back cover for contact details).

N.B. A call-out charge will be applied for unnecessary service visits where the problem could have been rectified by the customer as described in this instruction manual.

When contacting your dealer or the Service Department, please quote the model and serial number of your appliance, both of which are shown on the data plate situated on the right hand side below the drum aperture.



Future updates (PC)

The indicator or check light marked **PC** on the fascia panel is the interface used by the Miele service technicians during service work for testing purposes and for updating the appliance's programme data.

Appliance guarantee

Please see the guarantee card supplied with your appliance.

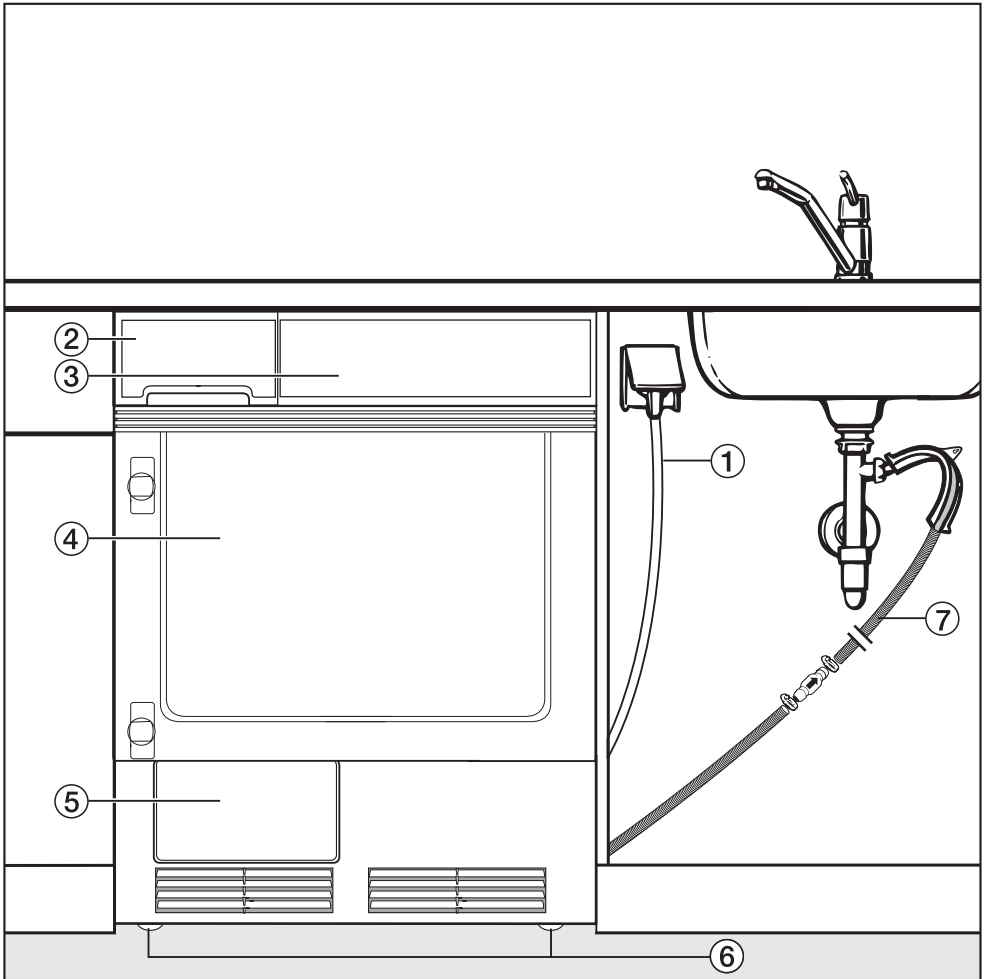
Optional accessories

Optional accessories for this dryer are available from your Miele Dealer, the Miele Spare Parts Department or via the internet at www.miele-shop.com.

Please note that telephone calls may be monitored and recorded for training purposes.


Installation

Front view



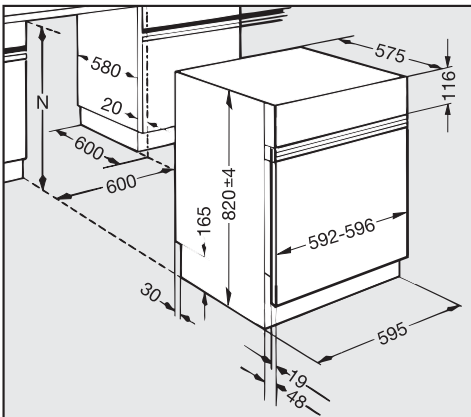
- ① Mains connection cable
- ② Condensed water container
- ③ Control panel
- ④ Door (can be fitted with a decor panel)
- ⑤ Service panel for condenser unit
- ⑥ Four height adjustable screw feet
- ⑦ External drainage options (e.g. via wash basin, wash basin drain outlet or gully)

Installation site

 Make sure the dryer door can be opened without hindrance after installation.

Building under a continuous worktop / in a kitchen run

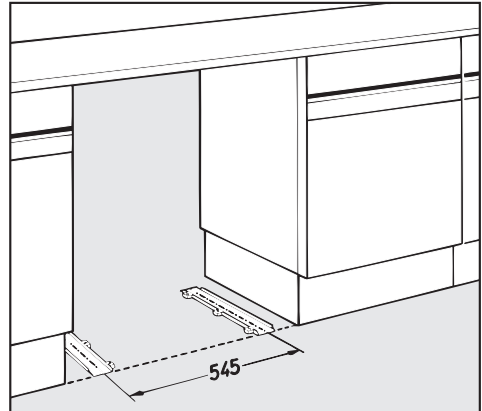
This tumble dryer is specially designed for installation under a continuous worktop run in a fitted kitchen.



N = Niche height (820-930 mm)

It is supplied fitted with a cover plate instead of an appliance lid. The cover plate is necessary to ensure electrical safety and must not be removed.

When moving the dryer do not hold it by the door.



- The slides (available to order) should be used to protect the floor from damage when the dryer is pushed into position or taken out for servicing.
- The electrical socket must be located in an accessible position near the machine.

Please note:

| Niche height | Accessory |
|-----------------|---|
| 820 mm | None required |
| from 830-840 mm | Fit longer screw feet* (set to approx. 40 mm) |
| from 870-885 mm | Use one raising kit* |
| from 915-930 mm | Use two raising kits* |

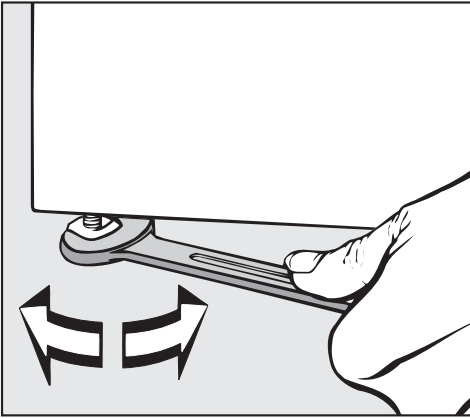
* optional accessory

The dryer must not be used without the front panel in place.

If the kitchen run has a continuous furniture plinth in place, a gap must be made for the tumble dryer.

Installation


Aligning the appliance



- Turn the 4 screw feet to adjust the dryer to the correct height and level.

Longer screw feet are available as an optional accessory. Unscrew and remove the feet supplied with the dryer before fitting the longer screw feet.

The cover plate on the dryer must be aligned horizontally underneath the worktop.


 The ventilation gaps in the plinth must not be covered over as this would prevent a sufficient intake of air.

Room in which the dryer is located

Air taken in for use in the drying process will be warm when it is expelled from underneath the dryer. This expelled air heats up the air in the room. It is therefore very important to ensure that the room is adequately ventilated, particularly if the dryer is located in a small room. Otherwise running times and energy consumption could be increased.

Washer-dryer stack

The tumble dryer can also be combined with a Miele washing machine in a washer-dryer stack. To do this the appropriate stacking kit (WTV) (available to order) is required.

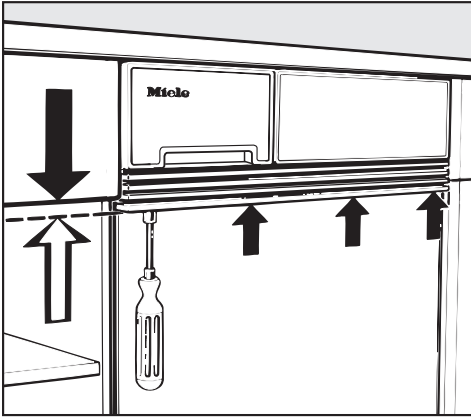
 The stacking kit must be fitted by suitably qualified fitter.

Before moving the tumble dryer again (e.g. when moving house)

After each use a small quantity of condensed water will collect in the area around the pump. This water can run out, if the dryer is tipped up when it is being moved. It is a good idea to run the *Cool air* programme for approximately 1 minute before moving the dryer. Any remaining condensed water will then be fed into the condensed water container or out through the drain hose.

Matching the fascia panel to the height of adjacent drawer fronts

The fascia panel can be aligned with the drawer fronts by adjusting the spacer bars.



- Using a socket spanner, turn clockwise or anti-clockwise until the required height is reached.

If necessary individual bars can be removed or more added.

- To do this, use the socket spanner to loosen the nuts.

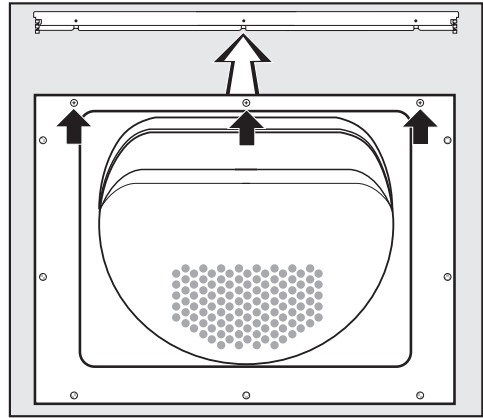
An adapter kit with spacer bars and longer screws can be ordered as an optional accessory. This can be used to add spacer bars from below up to a maximum of 25 mm.

After fitting the bars, cut or pinch off any excess length from the screws.

Removing the spacer bars

All the spacer bars can be removed if the upper edge of the front panel needs to be flush with the upper edge of the appliance front directly underneath the fascia panel. See "Fitting a front panel made by another manufacturer".

- Open the door.



- Unscrew and remove the 3 screws (see arrows).
- Remove all the spacer bars.

The 3 holes which are now free should be used to screw the front panel to the machine front later on.

Installation

Fitting the front panel

The appliance front can be fitted with a door panel to match other kitchen units.

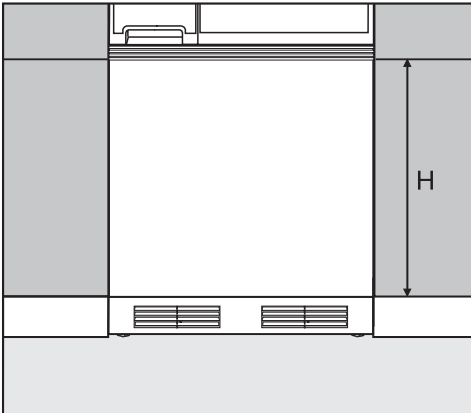
If fitted in a Miele kitchen, the door panel can be ordered pre-drilled with the necessary fixing holes.

If fitted in a non-Miele kitchen, a suitable panel will have to be drilled to suit by a qualified kitchen fitter. See "Fitting a door front panel made by another manufacturer" for details on preparing and drilling the fixing holes.

Front panel dimensions

Width: 592-596 mm

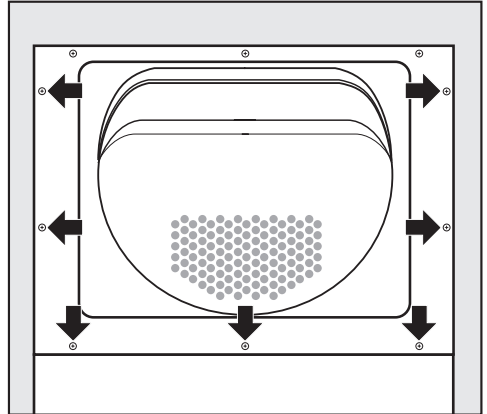
Thickness: 17 to 19 mm (corresponding to the thickness of the adjacent unit door front panels)



Height: The height of the door front panel corresponds to the door height (**H**) of the adjacent units.

Fitting the front panel

- Open the door.
- Hold the front panel in the correct position in front of the appliance door.



- Screw the front panel to the machine door.

If all the spacer bars have been removed:

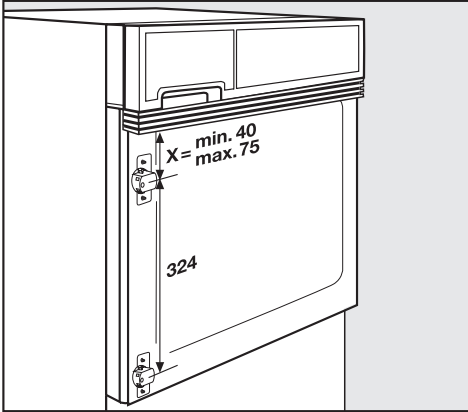
You can also make use of the 3 holes at the top of the door plate to screw the front panel to the door plate.

Fitting a door front panel made by another manufacturer

Preparing the front panel

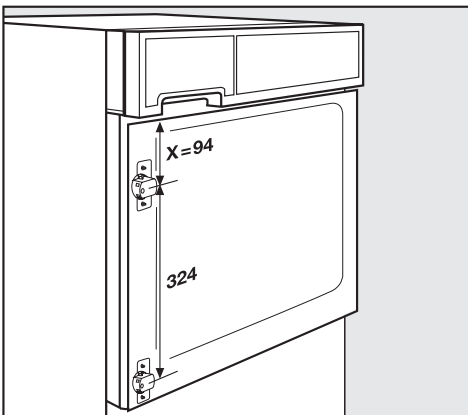
- 1 Measure distance **X** for drilling the hinge holes.

– with spacer bars:



– without spacer bars:

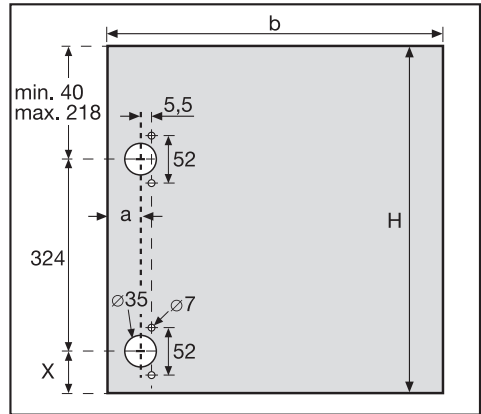
(the front panel must be correspondingly higher)



- 2 Mark the two hinge holes and the four smaller holes as shown in the diagram.

For left hand hinging only:

- front panel shown decor side face down, upper edge at the bottom:



if width (**b**) increases, measurement **a** must also be increased

b = 592 mm → **a** = 21.5 mm

b = 593 mm → **a** = 22.0 mm

b = 594 mm → **a** = 22.5 mm

b = 595 mm → **a** = 23.0 mm

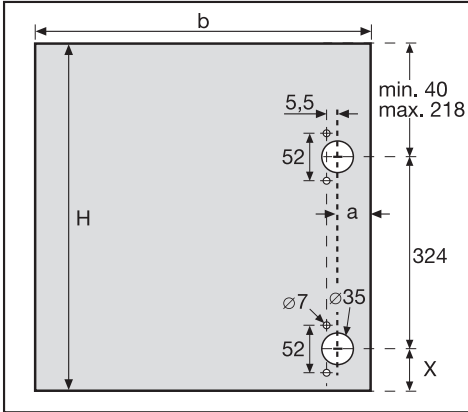
b = 596 mm → **a** = 23.5 mm

H = height of adjacent furniture unit doors.

Installation

For right hand hinging only:

– front panel shown decor side face down, upper edge at the bottom:



if width (**b**) increases, measurement **a** must also be increased

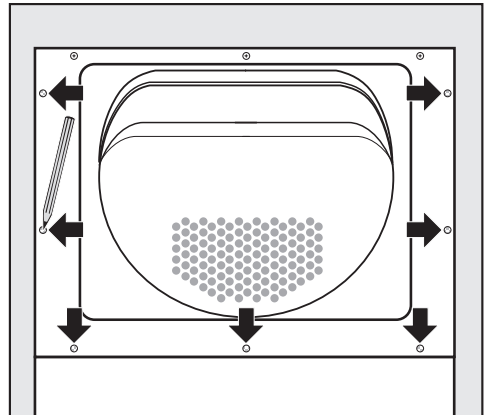
- b** = 592 mm → **a** = 21.5 mm
- b** = 593 mm → **a** = 22.0 mm
- b** = 594 mm → **a** = 22.5 mm
- b** = 595 mm → **a** = 23.0 mm
- b** = 596 mm → **a** = 23.5 mm

H = height of adjacent furniture unit doors.

- 3 Drill the two hinge holes ($\varnothing 35$ mm/15.5 mm deep) in the back of the front panel.
- 4 Next, drill the four smaller holes ($\varnothing 7$ mm/10 mm deep) in the back of the front panel.
- 5 Shorten the front panel from the bottom to height **H**.

Preparing the fixing points

- 6 Hold the pre-drilled front panel in the correct position in front of the machine door.



- 7 Mark the fixing points on the back of the front panel through the holes in the machine door plate (see arrows in the illustration).
- 8 Remove the front panel.
- 9 Now drill holes ($\varnothing 2.5$ mm/10 mm deep) in the back of the front panel.

Fitting a plinth facing

The gap between the lower edge of the tumble dryer plinth and the floor can be closed up using a suitable kitchen furniture plinth facing.

The tumble dryer plinth has a special groove in which a plinth facing can be fitted.

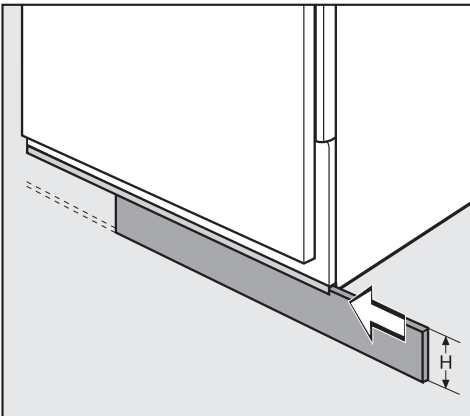
Plinth facing dimensions

Length: 592 - 596 mm

Thickness: 8 mm

Height (H): The plinth facing height must be calculated after aligning the height of the appliance with the screw feet or after fitting the raising kit(s).

Installation



- Calculate height (**H**) from the floor up into the groove (on the underside of the tumble dryer).
- Cut the plinth facing to size.
- Slide it into the groove.

Useful tip:

If the dryer is fitted on a raising kit, you can use double-sided adhesive tape on the back of the plinth facing to secure it to the raising kit.

Installation

External condensed water outlet

General notes

When drying is in progress, condensed water is pumped into the condensed water container through the drain hose at the back of the dryer. The condensed water can also be drained off directly if the dryer is installed near a sink, drain outlet etc. so that the condensed water container does not have to be emptied.

Drain hose length 1.00 m

Extension hose 2.00 m (accessory)

Maximum delivery head 1.50 m

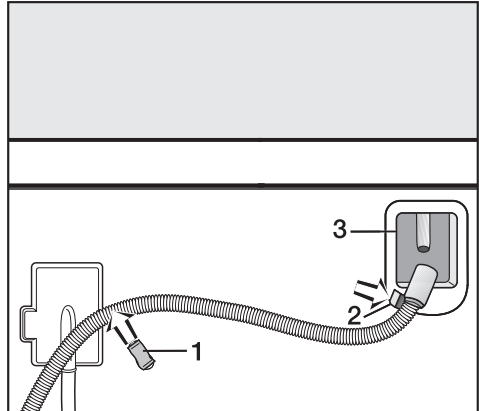
Maximum drain hose length 4.00 m

⚠ If the on-site water drainage system is not fitted with a non-return valve or an appropriate air gap, an air gap or the non-return valve supplied with the dryer must be fitted to prevent the risk of back-flow. (See "Installation conditions requiring a non-return valve").

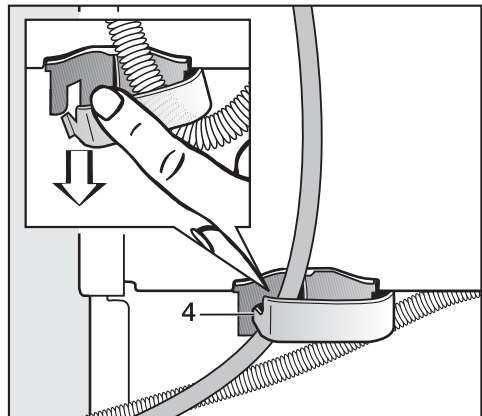
Maximum delivery head with non-return valve fitted 1.00 m

Arranging the drain hose

⚠ Do not pull on the drain hose and do not stretch it or allow it to become kinked as it could get damaged.




- Unclip the drain hose from clips **(1)** and **(2)**.



- Then pull it off connection **(3)**.
- The lower clip **(4)** can be opened to allow you to take the drain hose out or to feed the mains cable through it.


External drainage via a sink or gully

- See "Front view" illustration.

 If you want to drain the water off into a sink you will need to secure the hose carefully, e.g. by tying it to a tap to make sure it cannot slip during use. Otherwise there is a risk of overflowing water which could cause damage.

- Use the bow-shaped guide to prevent the drain hose from becoming kinked (see "Front view" illustration).

Installation conditions requiring a non-return valve

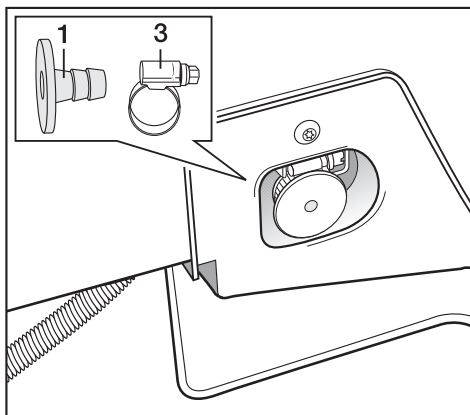
 If the on-site water drainage system is not fitted with a non-return valve or an appropriate air gap, an air gap or the non-return valve supplied with the machine must be fitted to prevent the risk of back-flow. Otherwise water could leak out of the dryer and cause damage.

A non-return valve is required:

- If the tumble dryer is connected to a sink drain outlet (see the following section).
- If the tumble dryer is to be connected to a drainage system **already in use** by another appliance, e.g. a dishwasher or washing machine.

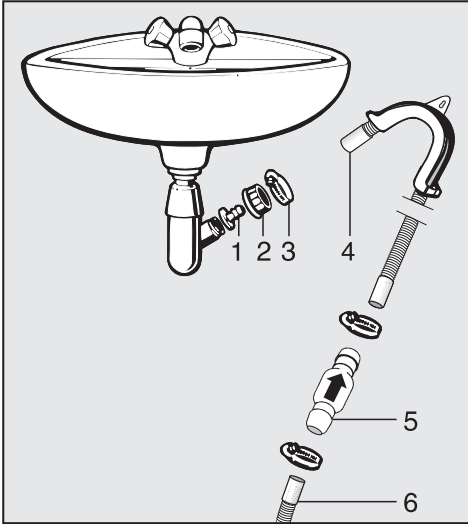
Example: Connection to a sink drain outlet

The drain hose with non-return valve fitted can be connected directly to a suitable sink drain outlet.




- Remove the following from the back of the dryer at the bottom:
Adapter **1** and hose clip **3** behind it.

Installation



- 1 Adapter
- 2 Nut
- 3 Hose clip
- 4 Extension hose (accessory)
- 5 Non-return valve (accessory)
- 6 Tumble dryer drain hose

- Fit adapter **1** to the sink drain outlet using nut **2**.
If this nut has a flat disc in it you should take the disc out first.
- Attach the end of the extension hose **4** to adapter **1**.
- Use a screwdriver to tighten hose clip **3** up close to the nut.

 Non-return valve **5** has to be fitted with the arrow pointing in the direction of flow (i.e. towards the sink). Otherwise water will not drain out of the machine.

- Fit non-return valve **5** to the drain hose on the dryer **6** (make sure it is fitted correctly (see arrow on non-return valve).
- Secure the non-return valve using hose clips.

Electrical connection U.K.

All electrical work should be carried out by a suitably qualified and competent person, in strict accordance with current national and local safety regulations (BS 7671 in the UK).

Ensure power is not supplied to the appliance until after installation work has been carried out.

The appliance is supplied with a mains cable with moulded plug ready for connection to a 230-240V mains supply. Please ensure the connection data quoted on the data plate match the household mains supply.

Connection should be made via a suitable switched socket which is easily accessible after installation.

For extra safety it is advisable to install a suitable residual current device (RCD). Contact a qualified electrician for advice.

Do not connect via an extension lead. Extension leads do not guarantee the required safety of the appliance (e.g. danger of overheating).

Non-rewireable plugs BS 1363

The fuse cover must be refitted when changing the fuse, and if the fuse cover is lost, the plug must not be used until a suitable replacement is obtained. The colour of the correct replacement cover is that of the coloured insert in the base of the plug, or the colour that is embossed in words on the base of the plug (as applicable to the design of plug fitted).

Replacement fuses should be ASTA approved to BS 1362 and have the correct rating. Replacement fuses and fuse covers may be purchased from your local electrical supplier.

**WARNING: THIS APPLIANCE
MUST BE EARTHED**

Consumption data

| Programme | Load | Final spin speed | Energy | Duration |
|-------------------------------|------|---------------------------------|--------|----------|
| | | in a domestic washing machine | | |
| | kg* | rpm | kWh | Minutes |
| Cottons Normal | 6.0 | 1000 (60 % residual moisture)** | 3.35 | 94 |
| | | 1200 | 3.05 | 86 |
| | | 1400 | 2.90 | 82 |
| | | 1600 | 2.55 | 74 |
| | | 1800 | 2.50 | 73 |
| Cottons Hand iron ΔΔ | 6.0 | 1000 (60 % residual moisture)** | 2.65 | 71 |
| | | 1200 | 2.35 | 63 |
| | | 1400 | 2.20 | 60 |
| | | 1600 | 1.90 | 52 |
| | | 1800 | 1.80 | 51 |
| Minimum iron Normal | 3.0 | 1200 (40 % residual moisture)** | 1.15 | 34 |
| Minimum iron Hand iron | 3.0 | 1200 | 1.05 | 31 |
| Delicates Normal | 2.0 | 800 | 1.20 | 81 |
| Automatic Normal | 3.5 | 800 | 2.10 | 119 |
| Shirts Normal | 2.0 | 600 | 1.25 | 43 |
| Denim Normal | 3.0 | 900 | 2.40 | 119 |
| Woollens handcare | 2.0 | 1000 | 0.15 | 4 |
| Silks handcare | 1.0 | 400 | 0.15 | 5 |
| Smoothing | 3.0 | 1000 | 0.30 | 8 |
| Sportswear Normal | 2.0 | 600 | 1.35 | 61 |
| Outerwear Normal | 2.0 | 800 | 1.40 | 72 |
| Proofing | 2.0 | 800 | 1.25 | 59 |
| Cottons hygiene | 6.0 | 1000 | 3.70 | 118 |
| Minimum iron hygiene | 3.0 | 1200 | 1.45 | 58 |
| Large pillows | 1.2 | 1200 | 1.30 | 129 |

* Weight of dry laundry

** EN 61121:2005 test programme

All data without a "star" against it was calculated using EN 61121:2005.

Before testing in accordance with EN 61121, dry a 3 kg load of cotton laundry with 70% residual moisture as per the above standard using the Cottons Normal programme without any extra options.

Consumption data can vary from the nominal values given above depending on the size of the load, types of textiles, residual moisture levels after spinning, fluctuations in the electricity supply and any extra options selected.

Technical data

| | |
|---------------------------------------|------------------------|
| Height | 820 mm |
| Width | 595 mm |
| Depth | 575 mm |
| Suitable for stacking | Yes |
| Weight | 54 kg |
| Drum volume | 100 litres |
| Maximum capacity | 6 kg dry weight |
| Capacity of condensed water container | approx. 3.5 litres |
| Drain hose length | 950 mm |
| Maximum delivery head | 1.5 m |
| Maximum drain hose length | 4 m |
| Length of connection cable | 2 m |
| Voltage | see data plate |
| Connected load | see data plate |
| Fuse rating | see data plate / plug |
| Lamp wattage | see data plate |
| Energy consumption | see "Consumption data" |
| Test certificates awarded | see data plate |

Settings menu for changing default settings

The Settings menu is used to alter the dryer's electronics to suit different requirements.
Settings can be altered at any time.

To open the Settings menu

- Close the door.
- Switch the dryer on.
- Press both menu buttons at the same time until the following appears in the display:



You are now in the *Settings* menu.

Select the setting you want with the left hand *Menu* button under **Continue**, and confirm your selection with the right hand *Menu* button under **OK**.


To close the Settings menu





- Press the right hand *Menu* button under **OK**.

Language

The display can be set to appear in one of several different languages.

- Select the language you want by pressing the left hand *Menu* button under  (*Continue*).

A tick  will appear beside the language to show that it has been set.

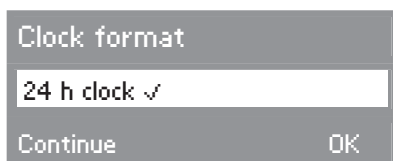
The flag  after the word *Language* acts as a guide to prevent a language which will not be understood from being set.

Settings menu

Time (of day)

First select either a 24 hour or 12 hour clock . You can then set the current time of day.

To set the clock format



- Select the clock format you want with the left hand *Menu* button under **Continue**, and confirm your selection with the right hand *Menu* button under **OK**.



To set the time

- Select the Time sub-menu and use the *Menu* buttons to set the time.

Drying levels

You can alter the drying levels for the *Cottons* and *Minimum iron* programmes.

The bar chart shows you the setting.
Factory default: a medium setting.

-  (damper)
The programme duration is shorter.
-  (drier)
The programme duration is longer.

Extended cool down

The cooling down phase which takes place before the end of a programme can be lengthened if required. This makes the garments easier to handle.

The bar chart shows you the setting.
Factory default: 0 mins (normal cooling down period)

You can select an extended cool down time in 2 minute increments up to a maximum of 18 minutes.

You cannot extend the cooling down time for the Warm air, Cool air, Timed drying hygiene, Woollens handcare, Silks handcare or Smoothing programmes.

Airways indicator

Fluff should be removed after drying. The *Clean out airways* indicator will remind you to clean the filters when a certain amount of fluff has collected. You can decide at what level of fluff this reminder should be given.

You will have an idea of how often this should be done after a few drying programmes.

Normal

Factory default

Light

Clean out airways appears when there is only a small build-up of fluff

Off

Clean out airways does not appear

Heavy

Clean out airways only appears when there is a heavy build-up of fluff

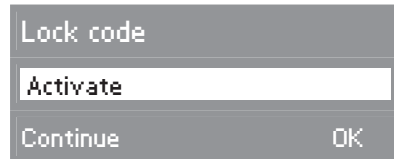
A tick ✓ will appear beside the option to show that it has been set.

Lock code

The lock code prevents your machine being used without your knowledge.

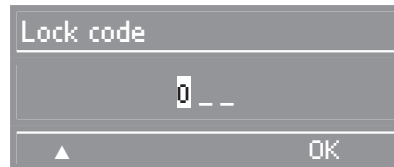
When the code has been activated, you have to enter a code after switching the dryer on. Otherwise the dryer cannot be operated.

To activate the lock code



- Press the right hand *Menu* button under **OK**.
- The display will now request that a lock code is entered. The lock code is **250** and cannot be altered.


To enter the lock code



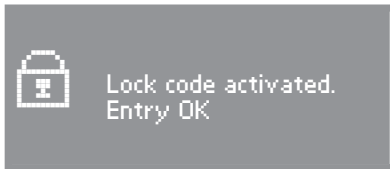
- Enter the first number with the left hand *Menu* button under ▲. Confirm your selection of this number by pressing the right hand *Menu* button under **OK**. Now enter the second number.
- Repeat the process until all three numbers have been entered.

Settings menu



- Confirm the lock code by pressing the right hand *Menu* button under **OK** or, if you have made a mistake, press the left hand *Menu* button under **Back** .

The following will appear in the display:



Once the machine is switched off, it can only be used again if the lock code is entered.

To use the dryer when the lock code is activated

When the machine is switched on again, the display will request the lock code.

- Enter code 250 as described above and confirm the entry.

The dryer is now unlocked and ready for use.

To deactivate the lock code

Proceed as for activating the code.

Buzzer

The buzzer has two volumes.

Normal (Factory default)

The buzzer sounds at the end of a programme.

Loud

The buzzer sounds at maximum volume at the end of a programme.

A tick ✓ will appear beside the option to show that it has been set.

Keypad tone

An audible tone sounds each time a button is pressed.

A tick ✓ will appear beside the option to show that it has been set.
Factory default: Off.

Contrast

Brightness

There are ten different display contrast and display brightness settings.

The bar chart shows you the setting.
Factory default: a medium setting.

Standby display

To save energy, the display goes out after 10 minutes and the indicator light for the *Start/Stop* button will start flashing slowly.

There are two options:

On

Standby is activated:

- if a programme is not selected within 10 minutes of the tumble dryer being switched on.
- 10 minutes after a programme has started.
- 10 minutes after the end of a programme.

Not in current prog.

(Factory default)

- Standby is activated if a programme is not selected within 10 minutes of the tumble dryer being switched on and after the end of a programme. (Standby is not activated after a programme has started).

Pressing one of the buttons switches the display back on again.

A tick ✓ will appear beside the option to show that it has been set.

Memory

The electronics will memorise the drying level and any extra options selected for the current drying programme.

A tick ✓ will appear beside the option to show that it has been set.
Factory default: Off.



United Kingdom

Miele Co. Ltd.
Fairacres, Marcham Road
Abingdon, Oxon, OX14 1TW
Tel: (01235) 554455
Fax: (01235) 554477
Customer Contact Centre Tel: (08707) 554466
E-mail: info@miele.co.uk
Internet: www.miele.co.uk

Australia

Miele Australia Pty. Ltd.
A.C.N. 005635398
1 Gilbert Park Drive, Knoxfield, VIC 3180
Tel: (03) 9764 7130
Fax: (03) 9764 7149
Internet: www.miele.com.au

China

Miele Shanghai Rep. Office
Room 4105 - 6, 41 Floor
Plaza 66, 1266 Nan-Jing Road/ West
Shanghai 200040
Tel: +86 21 6288 4200
Fax: +86 21 6288 4100
E-mail: mieleshanghai@cn.miele.com
Internet: www.miele.cn

Hong Kong

Miele (Hong Kong) Limited
AIA Plaza, 24 Floor
18 Hysan Avenue
Causeway Bay
Tel: +852- 2610-1331
Fax: +852-2610-1013
E-mail: mielehk@miele.com.hk
Internet: www.miele.hk

Ireland

Miele Ireland Ltd.
Broomhill Road, Tallaght, Dublin 24
Tel: (01) 461 0710
Fax: (01) 461 07 97
E-Mail: info@miele.ie
Internet: www.miele.ie

New Zealand

Miele New Zealand Limited
Unit L, 10-20 Sylvia Park Road
Mt. Wellington, 1060, Auckland, NZ
Tel: 0800 264353
Fax: 0800 463453
Internet: www.miele.co.nz

South Africa

Miele (Pty) Ltd
63 Peter Place, Bryanston 2194
P.O. Box 69434, Bryanston 2021
Tel: +27 (0) 11 548-1900
Fax: +27 (0) 11 548-1935
E-mail: info@miele.co.za
Internet: www.miele.co.za

Singapore

Miele Southeast Asia
Miele Pte. Ltd.
163 Penang Road
04 - 02/03 Winsland House II
Singapore 238463
Tel: +65 6735 1191
Fax: +65 6735 1161
E-Mail: infosea@miele.com.sg
Internet: www.miele.sg

United Arab Emirates

Miele Appliances Ltd.
P.O. Box 11 47 82
Gold & Diamond Park
Sheikh Zayed Road
Building 6 / Offices Nos. 6-214 to 6-220
Dubai
Tel: +971-4-341 84 44
Fax: +971-4-341 88 52
E-Mail: info@miele.ae
Internet: www.miele.ae